

PRODUCT DESCRIPTION



R1000

MOBILE TRACK-MOUNTED IMPACT CRUSHER

Inlet opening

960 x 720 mm / 38" x 29"

Performance

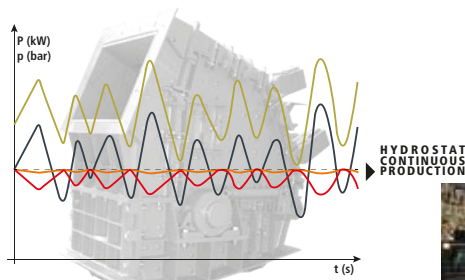
bis zu 280 t/h / 310 st/h*

Weight

31,0 t / 68.350 lbs



Continuous power to the rotor, independent from the engine, for constant crushing performance.



Rockster's hydrostatic drive makes sure that the engine runs in optimum rpm independent from the rotor.



Compact, mobile & easily moved on the construction site. Less down-time.



CONSTANT PERFORMANCE



HYDROSTATIC DRIVE



MAXIMUM FLEXIBILITY



INCREASED MOBILITY



EASE OF OPERATION



LONG-TERM RELIABILITY



Optimal transport dimensions for fast loading and unloading of the crusher.



Quality parts from leading component manufacturers.



Intuitive easy-to-use central machine control unit with a radio remote control.

APPLICATION AREAS



Perfect cubic final grain

COMPACT. FLEXIBLE. POWERFUL.

The mobile **impact crusher R1000** is specially developed for applications where space is limited such as for inner-city projects.

Because of its optimal dimensions, the R1000 is easily transported from one jobsite to another. It is the perfect combination of compactness and maximum performance.

Rockster's mobile track-mounted impact crusher is based on a fully hydraulically concept, which allows flexible recycling of asphalt, concrete and demolition debris.

Besides previously mentioned materials, the R1000 is also suitable for precise processing of natural stone.

R1000 - your reliable, compact solution for recycling and crushing of:

CONCRETE



Recycled concrete blocks 0/16

C&D WASTE



Subbase road 0/32

ASPHALT



Road 0/32

BRICK



Refilling pipelines 0/64

VIRGIN STONE



Forest road 0/32



SCAN & WATCH

*“We have certainly tested 4 or 5 different mobile crushers and for us the whole Rockster package was tailored exactly to our needs. **The hydraulic system is very user-friendly and familiar, which we prefer in comparison to electric, because we simply have more experience in this area.** Not to forget, of course, the air Blower. It works flawlessly and blows away light material such as wood, plastic, textiles or Ytong parts in one operation, nobody has to remove it by hand.”*

Anna Kober, CEO
Kober Transporte GmbH, Austria



„This machine is in the optimum performance class for contract crushing.”

Martin Hopf, CEO
Hopf Bagger KG, Austria



SCAN & WATCH

„I can easily set the crushing gap on the display, it is quick and uncomplicated. I also think it's great that almost all the functions of the crusher can be controlled via remote control.”

Tobias Poschinger, Machine Operator
Anton Sedlmaier GmbH , Germany



SCAN & WATCH

MAIN DIMENSIONS

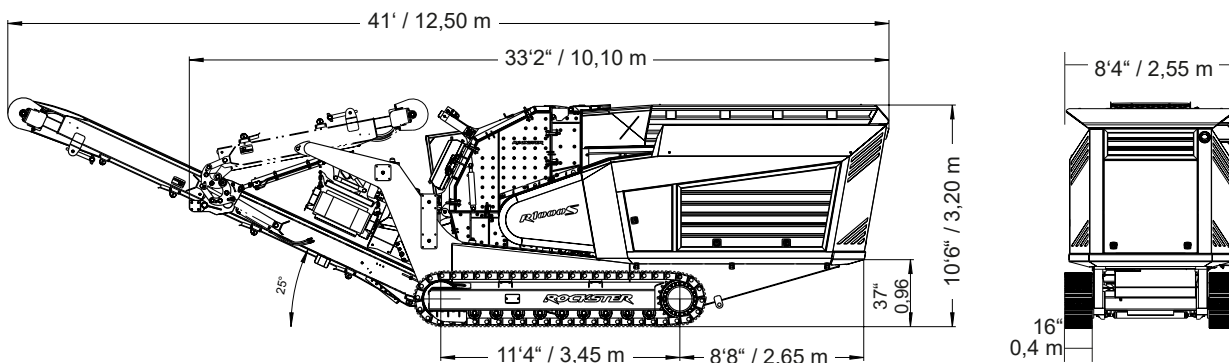


Transport dimensions

Length:	33'2" / 10,10 m
Width:	8'5" / 2,55 m
Height:	10'6" / 3,20 m
Weight:	68.350 lbs / 31,0 t

Feeding & discharge height

Feeding height:	10'6" / 3,20 m
Main discharge belt:	~ 10'6" / 3,20 m
Side discharge belt:	~ 7'6" / 2,30 m



Technical details

Inlet opening:	38" x 29" / 960 x 720 mm
Impact circle diameter:	41" / 1040 mm
Rotor equipment:	4 blow bars
Crushing ration:	1:10 - 1:50
Performance:	up to 310 st/h / 280 t/h
Rotor speed (continuously adjustable):	up to 850 rpm
Weight:	9,00 t / 18,000 lbs
Drive:	hydrostatic
Gap adjustment (adjusted on display):	fully hydraulic
Dust suppression:	At the crusher inlet & outlet



1. Maximum flexibility for top performance

The Rockster impact crusher guarantees the highest performance with a very high crushing rate. With two hydraulically fully adjustable aprons working independently from one another, as well as the option to variably adjust the crusher speed, the size of the final product can be highly optimised.

2. Individual adjustment of the degree of hardness

Depending on the material being processed, the hardness of the blow bars can be individually selected. This ensures optimal performance in various working conditions.

3. Use of the blow bars on both sides

The Rockster impact crusher's blow bars can be used on both sides, which extends the life of the wearing parts and at the same time reduces maintenance intervals.

4. High quality wear materials

Rockster uses only high-quality wear materials. This not only ensures low wear, but also ensures a reduction in daily operating costs.

Drive unit

Engine (electronically regulated):	CAT Stage IIIA - 250 kW / 335HP
	CAT Stage V - 250 kW / 335HP
Cylinder:	6
Cooling system:	water

The drive system is located at the rear of the machine, enclosed in a sound-proofed housing. Engine openings are positioned on all sides for easy access, service and overall maintenance.

The hydraulic pump for all auxiliary drives (main discharge belt, side discharge belt, vibration chute, crawler gear...) as well as the pump for the hydrostat are driven via a distributing gear unit which is flange-mounted on the drive engine. The hydrostat activates the crusher via a V-belt drive.



ADVANTAGES OF THE HYDROSTATIC DRIVE

- > Elimination of conventional clutch. No wear.
- > Individual adjustment of crusher speed
- > Crusher overload protection
- > Power adjustment according to individual requirements
- > Uniform throughput
- > Enormous power reserves

Feed hopper

Material:	Hardox 400
Volume:	5.5 yd ³ / 4,2 m ³
Length:	12'6" / 3800 mm
Width:	8'2" / 2500 mm
Height:	10'6" / 3200 mm



Vibration chute with 2-deck pre-screening

Material:	Hardox 400 / 2-step
Pre-screen length:	5'5" / 1660 mm
Type:	Zig zag
Option:	bar screen
2-deck pre-screen:	Standard mesh 1 1/3" / 34 mm (3'11" x 3'3" / 1200 x 1000 mm)
Drive:	hydraulic - with load-dependent speed control Overload protection
Construction:	separated from hopper - freischwiegend auf Federn
Advantages:	More efficient material flow, less clogging



Bypass - 3 different work flows

The switchable chute (Bypass) enables the discharge of pre-screened material on the side or onto the main discharge belt.

Easy switch via hand lever.

No special assembly necessary.

No wear. No service.



Main conveyor belt, to increase the performance of the crusher (fine end-product bypasses the crusher).



Medium-size product like Example 1, the end-product goes to the side conveyor belt.



Side conveyor belt, to clean the material or to get an extra final product.

Main discharge belt

Belt width:	44" / 1100 mm
Discharge height:	~ 10'6" / 3,20 m
Angle:	26° adjustable
Drive:	hydraulic, continuously variable

The main discharge belt is hydraulically lowerable for service and maintenance as well as hydraulically foldable for transport purposes.



Side discharge belt

Belt width:	20" / 500 mm
Discharge height:	~ 7'6" / 2,30 m
Angle:	20°
Drive:	hydraulic

The side discharge belt is hydraulically foldable for transport purposes.



Magnetic separator - adjustable height

Type:	Permanent magnet
Belt width:	30" / 750 mm
Weight:	2500 lbs / 1130 kg
Drive:	hydraulic
Height adjustment:	via remote control
Benefits:	<ul style="list-style-type: none"> > Avoid damage to the main belt > Simplified adjustment of the optimal distance > Easy removal of all blockages



Vibrating hardox discharge chute

Length:	5'11" / 1800 mm
Width:	3'11" / 1200 mm
Drive:	hydraulic - through vibration gear
Benefits:	<ul style="list-style-type: none"> > No wear of the main belt, especially beneficial when crushing steel-reinforced concrete



Caterpillar crawler

Tread width:	16" / 400 mm - slanted
Wheel base:	11'4" / 3450 mm
Surface:	triple ribbed pads
Drive:	2-speed hydraulic



Control panel

Central control/operating unit ensures an easy operation and machine monitoring in connection with a wireless remote control.

Fully automatic engine Start-Stop system with only one button.

- > Save the operation settings for various applications
- > Error monitoring - error log
- > Input & output status
- > Fast start of operation (QUICKSTART-Function)
- > Fully hydraulic gap adjustment via machine control system. Integrated measuring system



EASY MAINTENANCE



Ideal accessibility



Large covers enable optimal accessibility when it comes to service and maintenance. Furthermore they ensure optimal ventilation of the drive-unit and the cooler. The high-lift function of the side and rear doors saves additional space and ensures more operating space.



OPTIONS



Central lubrication system



1 Belt weigh scale incl. printer



2 Air compressor



3 Water pump



4 Blow-bar change system



5 Dust suppression

OPTIONS - SCREENING SYSTEM



Defined final product

Compact circular vibrating screen RS100.

Double-functional return or stockpile belt RB92.

Perfect addition for the production of 100 % defined final product.

In addition, the return belt can be used as a stockpile belt, which enables the production of the second product.



Vibrating screen

Special screens available on demand

Screen size:	8'6" x 4'5" / 2600 x 1350 mm
Standard mesh:	1 1/2" / 38 mm
Benefits:	<ul style="list-style-type: none"> > The screenbox is hydraulically lowerable to save maintenance time. > The amplitude is adjustable. > Integrated support feet for easy disassembly of the main conveyor and the screen box



Discharge conveyor - fines

Belt width:	3'11" / 1200 mm
Discharge height:	~ 9'11" / 3,0 m



Discharge conveyor - oversize grain

Belt width:	24" / 600 mm
-------------	--------------

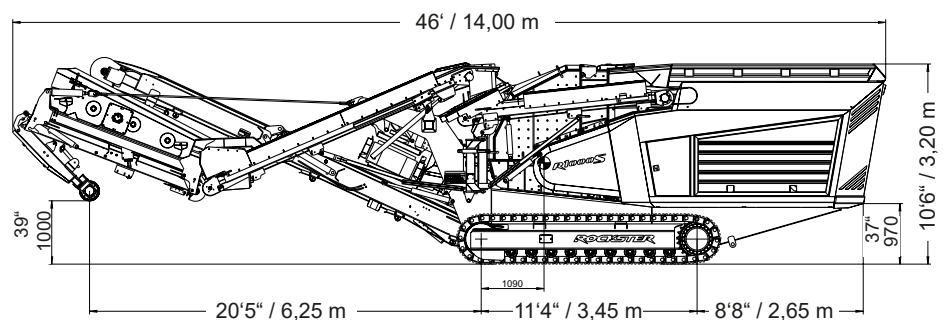
RB92 return or stockpile belt

Belt width:	24" / 600 mm
Discharge height (main conveyor):	~ 12'6" / 3,8 m



Transport dimensions R1000 + RS100 + RB92

Length:	46' / 14,00 m
Width:	9'4" / 2,83 m
Height:	10'6" / 3,20 m
Weight:	78,300 lbs / 35,50 t



OPTIONS - AIR BLOWER

R1000



FOR A CLEANER AND HIGHER QUALITY FINAL PRODUCT

RVB1700

The Rockster Air blower RVB1700 is used to efficiently separate non-aggregates from the final end-material, which results in a cleaner and higher quality final product. This enables Rockster customers to work more environmentally friendly and economically.

The Rockster RVB1700 air blower is hydraulically operated and can be completely integrated onto every Rockster crusher. The centerpiece of the RVB1700 is a variably adjustable blower, which is connected by flexible hoses to the air nozzle, which has an adjustable angle.

Through the narrow slot of the air nozzle, the air emerges and blows diagonally from below through the crushed material, so that the unwanted lightweight materials such as polystyrene, styrofoam, textile, cardboard, gypsum, plastic, foil, wood, are removed. With relatively little effort, the required final products can have a significantly higher value.

The RVB1700 was also developed as a retrofit kit for Rockster mobile crushers.

Technical details

Air volume:	up to 1.700 m ³ /h / 2,223 yd ³ /h
Differential pressure:	up to 7.000 Pa
Drive power:	up to approx. 15 kW / 20 hp
Drive - rpm:	up to 3.200 min ⁻¹
Weight:	approx. 150 kg / 331 lbs



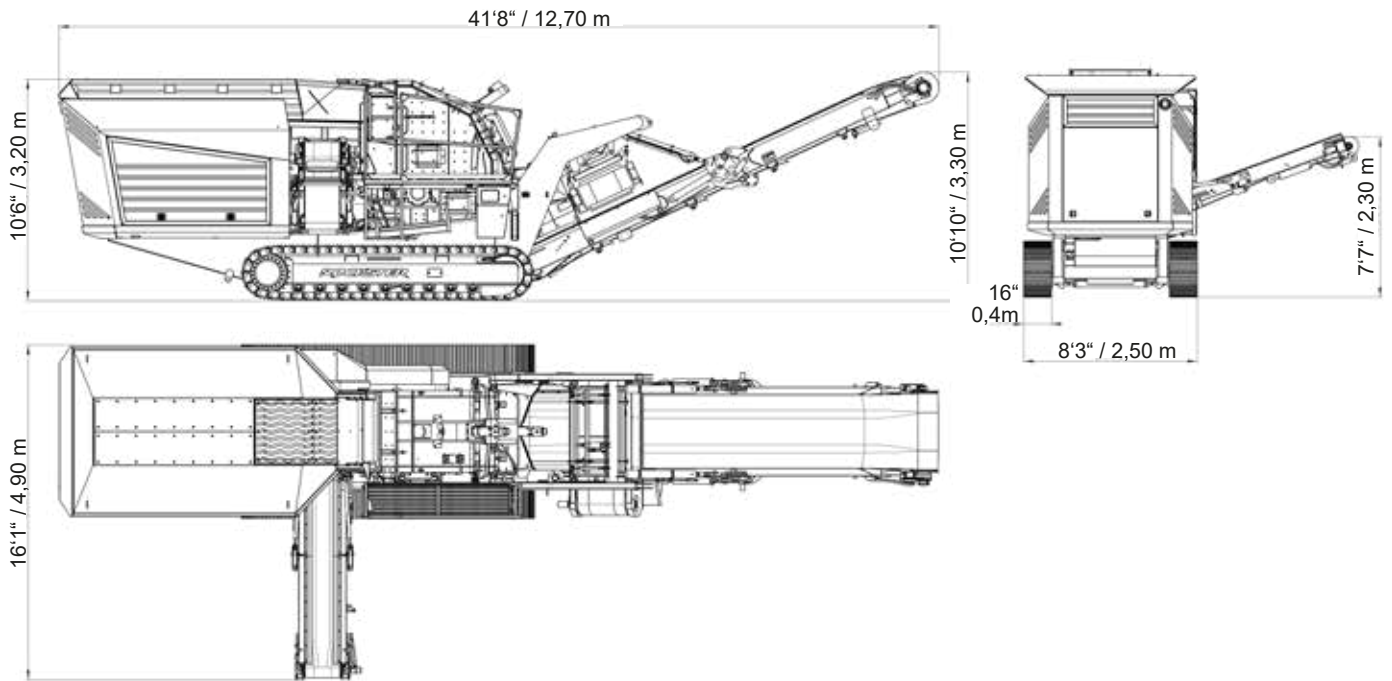
SCAN & WATCH



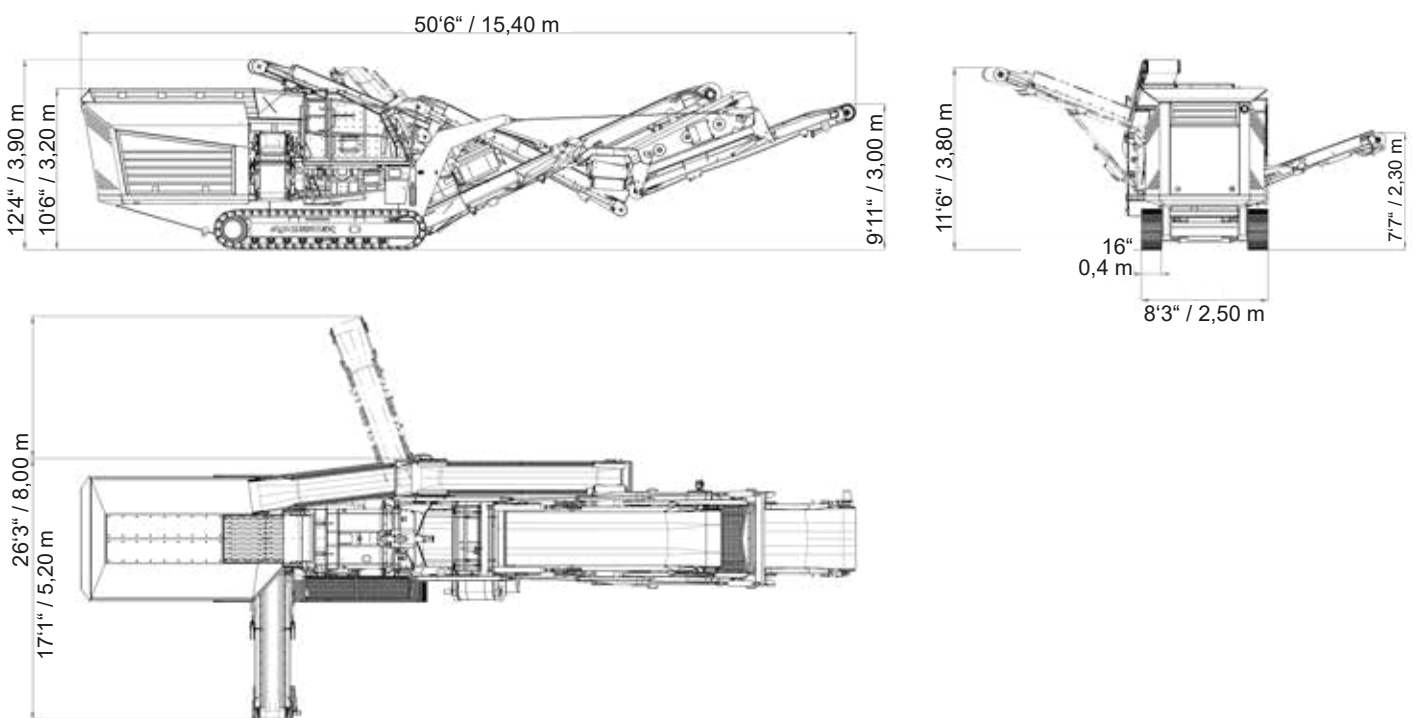
WORKING DIMENSIONS



R1000



R1000 with screening system



GENERAL INFORMATION



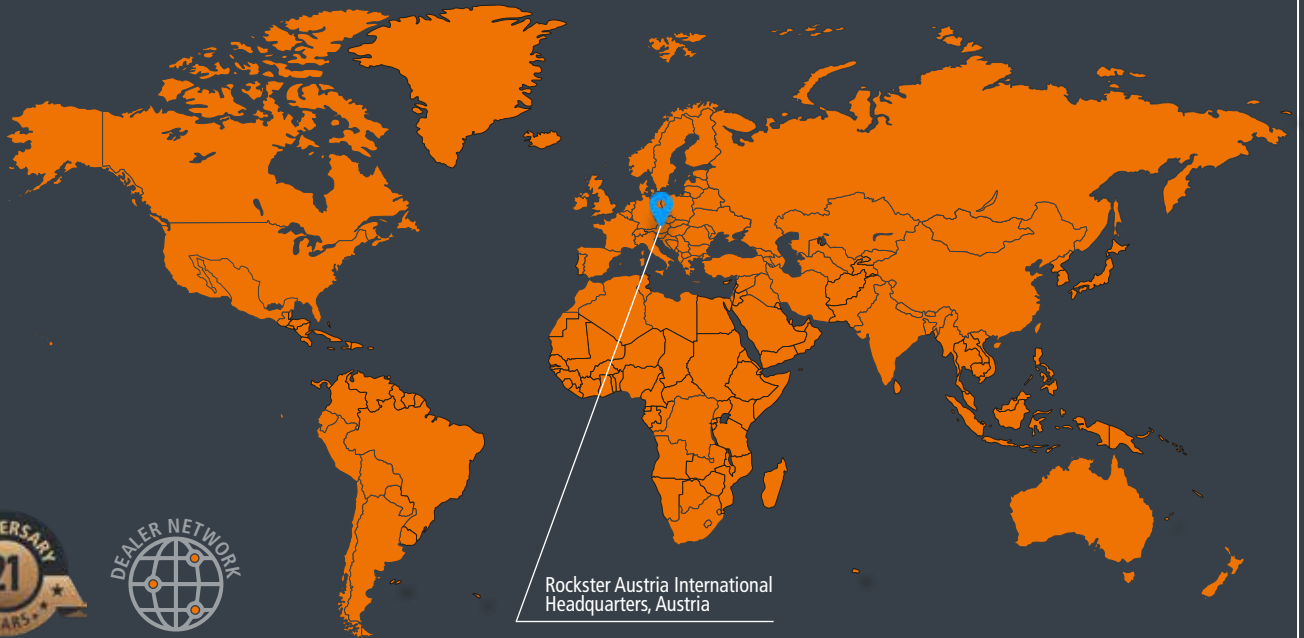
Austrian based manufacturer Rockster Austria International GmbH has a longstanding reputation and the know-how in demolition and screening industry.

The product line includes, among others, track mounted impact and jaw crushers, screening machinery and tracked stackers. "Our mobile crushers and screeners are used for profitable & economical recycling and processing of asphalt, concrete and construction waste, as well as for natural stone.

With innovations like The Original DUPLEX system or double-functional return belt, we repeatedly demonstrate our progressive approach towards improving and developing more efficient recycling & processing methods."

Rockster machines are sold in more than 50 countries worldwide. Our sales partner network guarantees the ideal on-site package of product and service in order to support and secure the daily success of our customers.





Rockster Austria International
Headquarters, Austria

SOLD IN MORE THAN 55 COUNTRIES WORLDWIDE

**COMPETENCE.
PROGRESS.
PARTNERSHIP.**

Rockster Austria International GmbH | Tagerbachstrasse 2, 4490 St. Florian, Austria
Tel.: +43 720 70 1212 | office@rockster.at | www.rockster.at

