

PRODUCT DESCRIPTION



R1100 DUPLEX

MOBILE TRACK-MOUNTED IMPACT CRUSHER

Inlet opening

1100 x 720 mm / 44" x 29"

Performance

bis zu 380 t/h / 420 st/h*

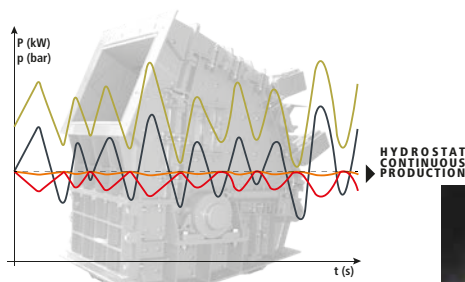
Weight

33,4 t / 73.700 lbs

ROCKSTER ADVANTAGES



Continuous power to the rotor, independent from the engine, for constant crushing performance.



Rockster's hydrostatic drive makes sure that the engine runs in optimum rpm independent from the rotor.



Compact, mobile & easily moved on the construction site. Less down-time.



CONSTANT PERFORMANCE



HYDROSTATIC DRIVE



MAXIMUM FLEXIBILITY



INCREASED MOBILITY



EASE OF OPERATION



LONG-TERM RELIABILITY



Optimal transport dimensions for fast loading and unloading of the crusher.



Quality parts from leading component manufacturers.



Intuitive easy-to-use central machine control unit with a radio remote control.



Perfect cubic final grain

THE MOST POWERFUL ROCKSTER IMPACTOR

The mobile **impact crusher R1100d** is specially developed for applications where space is limited such as for inner-city projects.

Because of its optimal dimensions, the R1100d is easily transported from one jobsite to another. It is the perfect combination of compactness and maximum performance.

Rockster's mobile track-mounted impact crusher is based on a fully hydraulically concept, which allows flexible recycling of asphalt, concrete and demolition debris.

Besides previously mentioned materials, the R1100d is also suitable for precise processing of natural stone.

R1100d - your reliable, compact solution for recycling and crushing of:

CONCRETE



Recycled concrete blocks 0/16

C&D WASTE



Subbase road 0/32

ASPHALT



Road 0/32

BRICK



Refilling pipelines 0/64

VIRGIN STONE



Forest road 0/32



SCAN & WATCH

„The large openings and good access to the engine compartment make service and maintenance easier. We also have much better experiences with hydraulic drives as is the case with Rockster’s fully hydraulic drive in comparison with diesel-electric drives, where you have to expect cable breaks and which are usually more sensitive to dust or vibrations. The attached Air Blower also works perfectly. It has the optimal suction to blow away non-aggregate materials such as polystyrene, textiles, wood parts, plastic or ytong parts.”

Richard Forster, CEO
Richard Forster Erdbau, Germany



„I can transport the machine with the screening system without extra hassle and since we use the machine 70% on site, cost effective transport and low weight play an important role.”

Bruno Urschitz, CEO
Bruno Urschitz GmbH, Austria



SCAN & WATCH



„Thanks to the compactness of our new R1100DS we are able to transport the machine, including the screening system, over our winding mountain roads using an ordinary flatbed truck.”

Ran Maohe, CEO
Kebao, China



SCAN & WATCH

MAIN DIMENSIONS

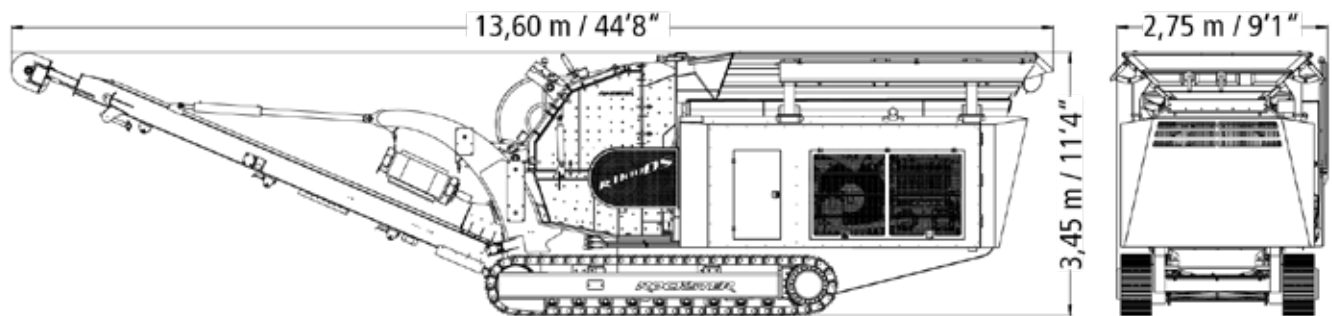


Transport dimensions

Length:	44'8" / 13,60 m
Width:	9'1" / 2,75 m
Height:	11'4" / 3,45 m
Weight:	73.700 lbs / 33,4 t

Feeding & discharge height

Feeding height:	11'2" / 3,40 m
Main discharge belt:	~ 11'6" / 3,50 m
Side discharge belt:	~ 7'10" / 2,40 m



Impact crusher

Inlet opening:	44" x 29" / 1100 x 720 mm
Impact circle diameter:	40" / 1020 mm
Rotor equipment:	4 blow bars
Crushing ration:	1:10 - 1:50
Performance:	up to 440 st/h / 400 t/h
Rotor speed (continuously adjustable):	up to 850 rpm
Weight:	22,500 lbs / 10,200 kg
Drive:	hydrostatic
Gap adjustment (adjusted on display):	fully hydraulic
Dust suppression:	At the crusher inlet & outlet



1. Maximum flexibility for top performance

The Rockster impact crusher guarantees the highest performance with a very high crushing rate. With two hydraulically fully adjustable aprons working independently from one another, as well as the option to variably adjust the crusher speed, the size of the final product can be highly optimised.

2. Individual adjustment of the degree of hardness

Depending on the material being processed, the hardness of the blow bars can be individually selected. This ensures optimal performance in various working conditions.

3. Use of the blow bars on both sides

The Rockster impact crusher's blow bars can be used on both sides, which extends the life of the wearing parts and at the same time reduces maintenance intervals.

4. High quality wear materials

Rockster uses only high-quality wear materials. This not only ensures low wear, but also ensures a reduction in daily operating costs.

Drive unit

Engine (electronically regulated):	Volvo Stage IIIA - 262 kW / 350HP
	Volvo Stage IV - 265 kW / 355HP
	CAT Stage IIIA - 242 kW / 325 HP
	CAT Stage V - 280 kW / 375HP
Cylinder:	6
Cooling system:	water

The drive system is located at the rear of the machine, enclosed in a sound-proofed housing. Engine openings are positioned on all sides for easy access, service and overall maintenance.

The hydraulic pump for all auxiliary drives (main discharge belt, side discharge belt, vibration chute, crawler gear...) as well as the pump for the hydrostat are driven via a distributing gear unit which is flange-mounted on the drive engine. The hydrostat activates the crusher via a V-belt drive.



ADVANTAGES OF THE HYDROSTATIC DRIVE

- > Elimination of conventional clutch. No wear.
- > Individual adjustment of crusher speed
- > Crusher overload protection
- > Power adjustment according to individual requirements
- > Uniform throughput
- > Enormous power reserves
- > Adjustment of rotating direction (Duplex)

Feed hopper

Material:	Hardox 400
Volume:	6.5 yd ³ / 5 m ³
Length:	14'6" / 4400 mm
Width:	8'2" / 2500 mm
Height:	10'6" / 3200 mm



Vibration chute with 2-deck pre-screening

Material:	Hardox 450
Length:	5'11" / 1800 mm
Width:	3'7" / 1100 mm
Type:	Zig zag
Option:	bar screen
Drive:	hydraulic - with load-dependent speed control Overload protection



Bypass

The switchable chute (Bypass) enables the discharge of pre-screened material on the side or onto the main discharge belt.

Easy switch via hand lever.

No special assembly necessary.

No wear. No service.



Main discharge belt

Belt width:	47" / 1200 mm
Discharge height:	~ 11'6" / 3,5 m
Angle:	25°
Drive:	hydraulic, continuously variable

The main discharge belt is hydraulically lowerable for maintenance and service purposes.



Side discharge belt

Belt width:	26" / 650 mm
Discharge height:	~ 7'10" / 2,4 m
Angle:	20°
Drive:	hydraulic

The side discharge belt is hydraulically foldable for transport purposes.



Magnetic separator - adjustable height

Type:	Permanent magnet
Belt width:	30" / 750 mm
Weight:	2570 lbs / 1165 kg
Drive:	hydraulic



Caterpillar crawler

Tread width:	16" / 400 mm - slanted
Wheel base:	12'6" / 3800 mm
Surface:	triple ribbed pads
Drive:	2-speed hydraulic



Control panel

Central control/operating unit ensures an easy operation and machine monitoring in connection with a wireless remote control.

Fully automatic engine Start-Stop system with only one button.

- Save the operation settings for various applications
- Error monitoring - error log
- Input & output status
- Fast start of operation (QUICKSTART-Funktion)



EASY MAINTENANCE



Ideal accessibility



Large covers enable optimal accessibility when it comes to service and maintenance. Furthermore they ensure optimal ventilation of the drive-unit and the cooler. It makes it a dream for every service technician when it comes to service and maintenance.



OPTIONS



Central lubrication system



1 Belt weigh scale incl. printer



2 Air compressor



3 Water pump



4 Blow-bar change system



5 Dust suppression

OPTIONS - SCREENING SYSTEM



Defined final product

Compact circular vibrating screen RS114S.

Double-functional return or stockpile belt RB95.

Perfect addition for the production of 100 % defined final product.

In addition, the return belt can be used as a stockpile belt, which enables the production of the second product.



Vibrating screen - lowerable

Screen size:	10'2" x 4'5" / 3100 x 1350 mm
Standard mesh:	1 1/2" / 38 mm

Special screens available on demand

The hydraulically lowerable screen box saves time and unnecessary costs during maintenance.



Discharge conveyor - fines

Belt width:	3'11" / 1200 mm
Discharge height:	~ 10'6" / 3,2 m



Discharge conveyor - oversize grain

Belt width:	24" / 600 mm
-------------	--------------

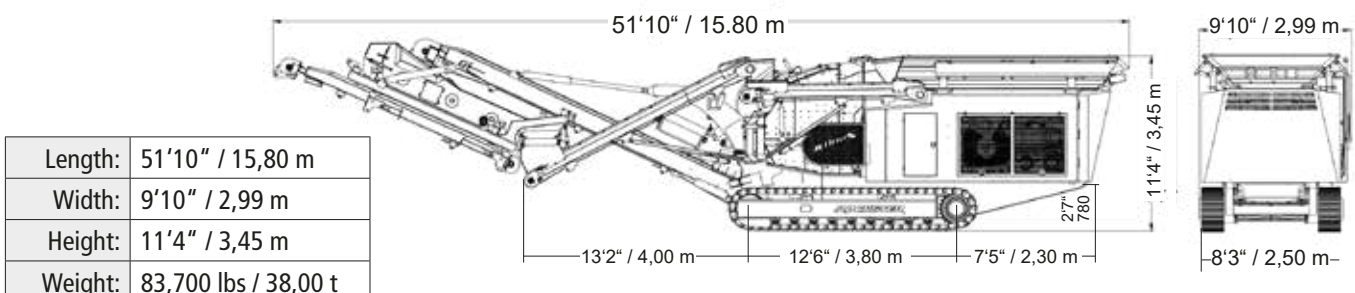


RB95 return or stockpile belt

Belt width:	24" / 600 mm
Discharge height (main conveyor) :	~ 12' / 3,6 m



Transport dimensions R1100d + RS114S + RB95



OPTIONS - 1 MACHINE = 2 CRUSHERS



DUPLEX SYSTEM

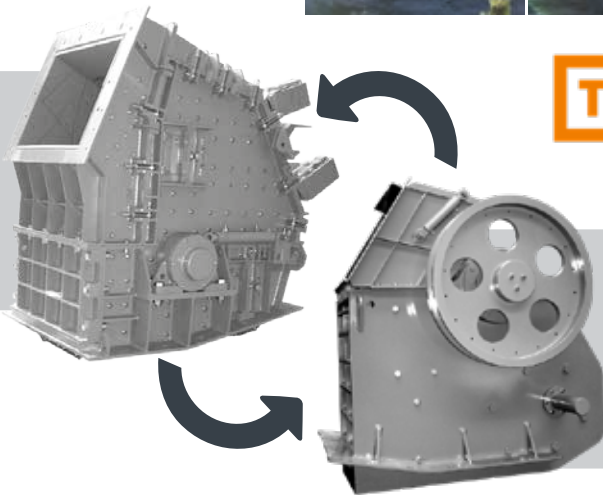
The hydrostatic drive & the unique design of the Rockster crusher allows the transformation from an impact crusher to a jaw crusher and vice versa in only a few hours. Achieve maximum machine utilization by using one carrier and different crusher units to rapidly adapt to different job requirements.



R1100
DUPLEX
Impact crusher



SCAN & WATCH



THE ORIGINAL
since 2004

R1200
Jaw crusher

AIR BLOWER - for cleaner and higher quality final product

RVB1700



Technical details

Air volume:	up to 1.700 m ³ /h / 2,223 yd ³ /h
Differential pressure:	up to 7.000 Pa
Drive power:	up to approx. 15 kW / 20 hp
Drive - rpm:	up to 3.200 min ⁻¹
Weight:	approx. 150 kg / 330 lbs

The Rockster Air blower RVB1700 is used to efficiently separate non-aggregates from the final end-material, which results in a cleaner and higher quality final product. This enables Rockster customers to work more environmentally friendly and economically.

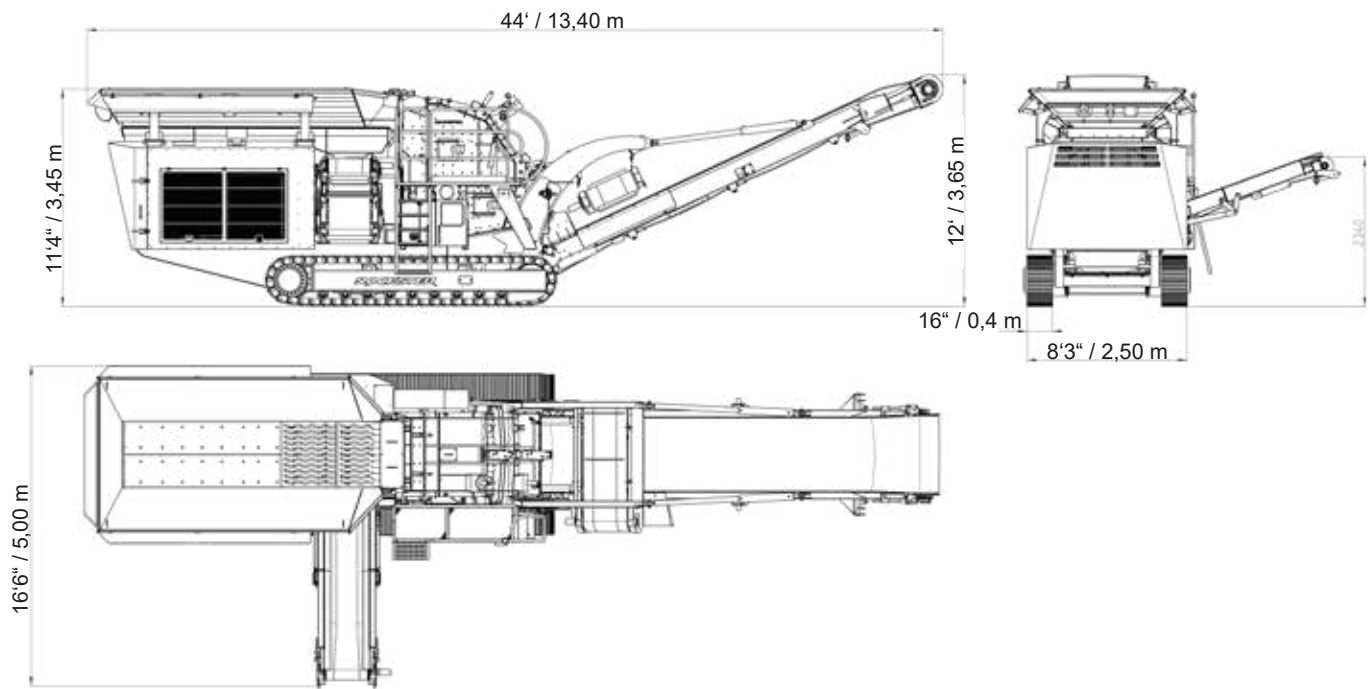


SCAN & WATCH

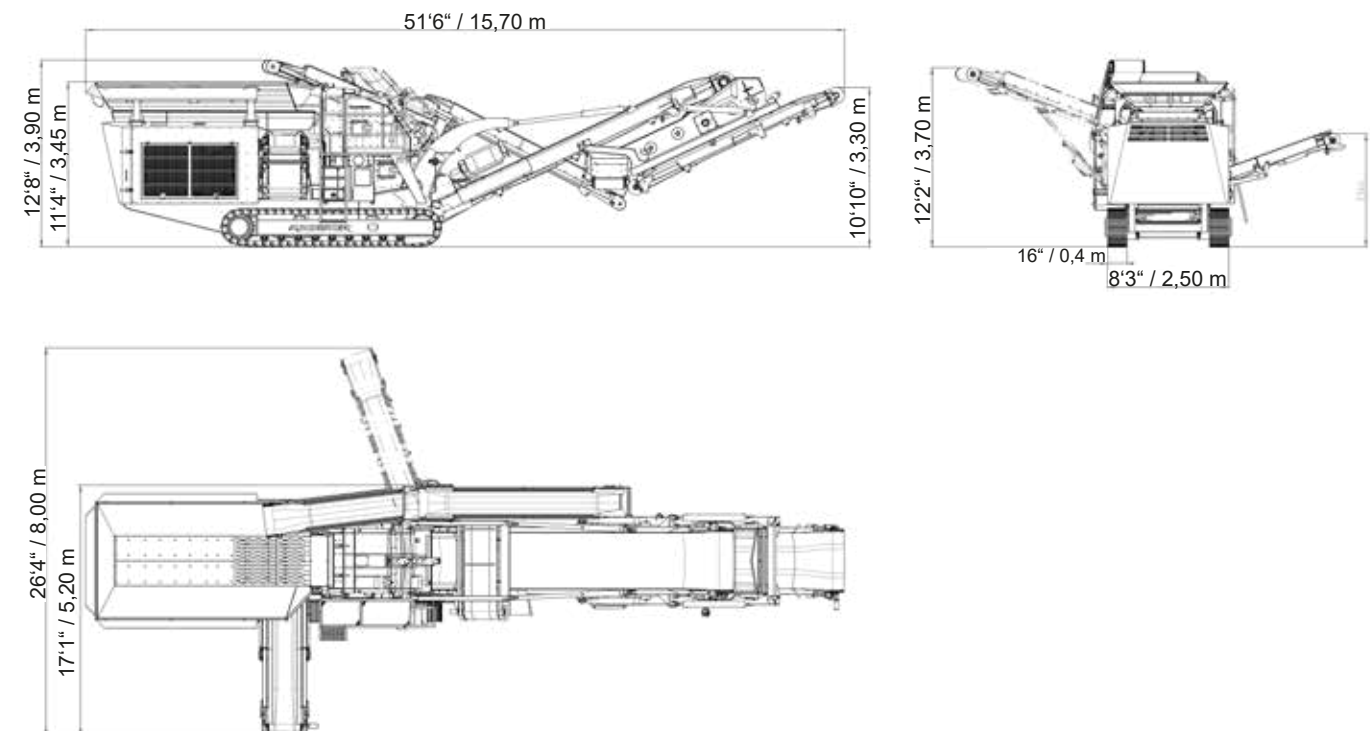
WORKING DIMENSIONS



R1100d



R1100d with screening system



GENERAL INFORMATION



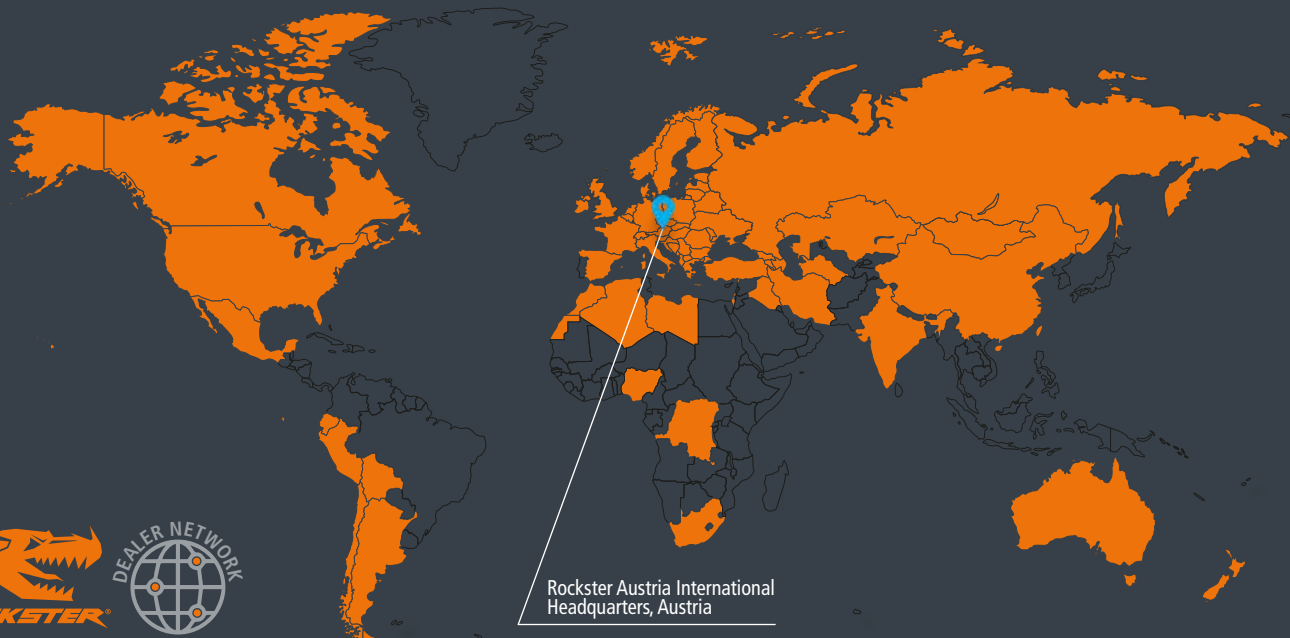
Austrian based manufacturer Rockster Austria International GmbH has a longstanding reputation and the know-how in demolition and screening industry.

The product line includes, among others, track mounted impact and jaw crushers, screening machinery and tracked stackers. "Our mobile crushers and screeners are used for profitable & economical recycling and processing of asphalt, concrete and construction waste, as well as for natural stone.

With innovations like The Original DUPLEX system or double-functional return belt, we repeatedly demonstrate our progressive approach towards improving and developing more efficient recycling & processing methods."

Rockster machines are sold in more than 50 countries worldwide. Our sales partner network guarantees the ideal on-site package of product and service in order to support and secure the daily success of our customers.





Rockster Austria International
Headquarters, Austria

SOLD IN MORE THAN 50 COUNTRIES WORLDWIDE

**COMPETENCE.
PROGRESS.
PARTNERSHIP.**

Rockster Austria International GmbH | Matzelsdorf 72, 4212 Neumarkt i.M., Austria
Tel.: +43 720 70 1212 | office@rockster.at | www.rockster.at

