

PRODUCT DESCRIPTION



J800^{REV}

TRACK-MOUNTED JAW CRUSHER

Performance 35 to 155 st/h

Transport weight 24,10 t / 48,000 lbs

Hydrostatic drive





J800 REV

TECHNICAL DETAILS

Inlet opening: 815 x 580 mm / 32" x 23"

Performance: 35 - 155 st/h (depending on Material)

Drive: Tier 3a / Stage V (129 kW) Diesel engine CAT C4.4

Crusher drive: hydrostatic - constant throughput

Gap adjustment: fully hydraulic / 25 - 120mm / 1" - 4 1/3"

Main discharge belt: 800 mm / 31 1/2"

Feed hopper: 6,0 m³ / 7.8 yd³ / **Loading height:** 3,85 m / 12'8"

Vibration chute: 0,8 x 2,7 m / 2'8" x 8'10" (2-deck pre-screening)

Caterpillar crawler: Type S15/33 L=450

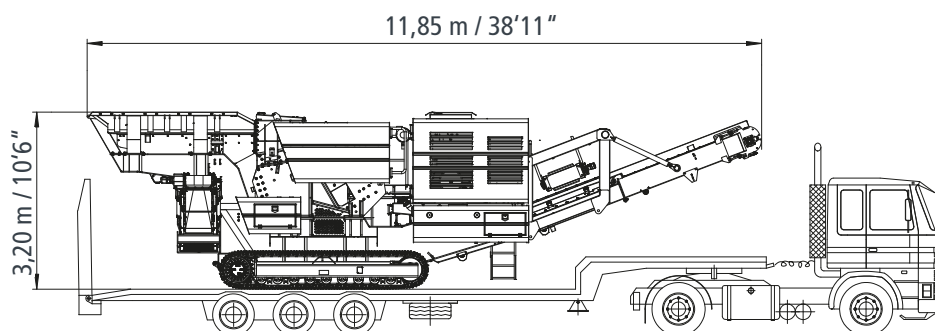
Weight without the options: 24,1 t / 48,000 lbs

STANDARD EQUIPMENT

- > Radio remote control
- > Hydraulically lowerable main discharge belt
- > Hydraulically foldable hopper walls

OPTIONS

- > Side conveyor belt
- > Magnetic separator
- > Dust suppression system
- > Reversal of crushing direction
- > Automatic central lubrication
- > Diesel fuel pump
- > Discharge chute



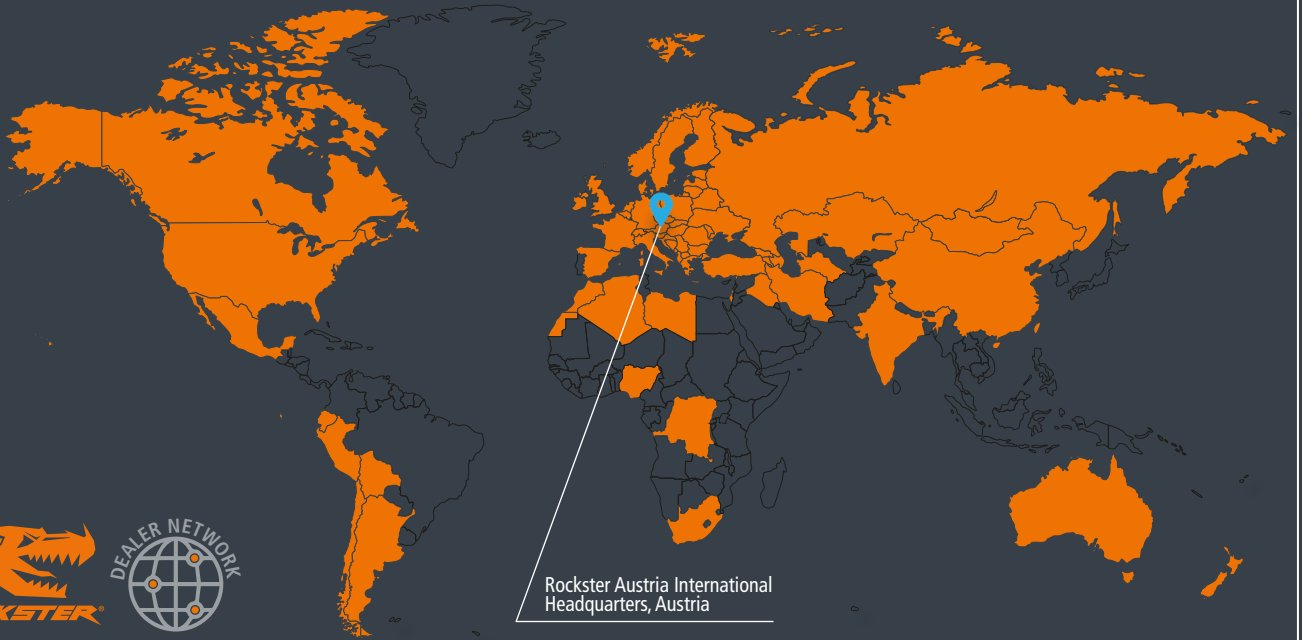
Transport dimensions J80 rev

Length:	11,85 m / 38'11"
Width:	2,55 m / 8'5"
Height:	3,20 m / 10'6"
*Weight:	25,40 t 56,000lbs

Working Dimensions J80 rev

Length:	11,85 m / 38'11"
Width:	4,60 m / 15'1"
Height:	3,70 m / 12'2"

*with Magnetic separator, Side conveyor, Dust suppression



Rockster Austria International
Headquarters, Austria

SOLD IN MORE THAN 50 COUNTRIES WORLDWIDE

**COMPETENCE.
PROGRESS.
PARTNERSHIP.**

Rockster Austria International GmbH | Matzelsdorf 72, 4212 Neumarkt i.M., Austria
Tel.: +43 720 70 1212 | office@rockster.at | www.rockster.at

