

PRODUCT DESCRIPTION



J1000^{REV}

TRACK-MOUNTED JAW CRUSHER

Performance 66 to 200 st/h

Transport weight 30,50 t / 66,140 lbs

Hydrostatic drive





J1000^{REV}

TECHNICAL DETAILS

Inlet opening: 1015 x 650 mm / 40" x 25 1/2"

Performance: 66 to 200 st/h (depending on Material)

Drive: Tier 3a / Stage V (151 kW) Diesel engine CAT C7.1

Crusher drive: hydrostatic - constant throughput

Gap adjustment: fully hydraulic / 30 - 1 3/16" to 120mm - 4 23/32"

Main discharge belt: 1000 mm - 39 3/8"

Feed hopper: 3,0 m³ - 4,0 yd³ / **Loading height:** 3,4 m - 11'2"

Vibration chute: 0,9 x 2,7 m / 2'11" x 8'10" (2-deck pre-screening)

Caterpillar crawler: Type S15/33 L=450

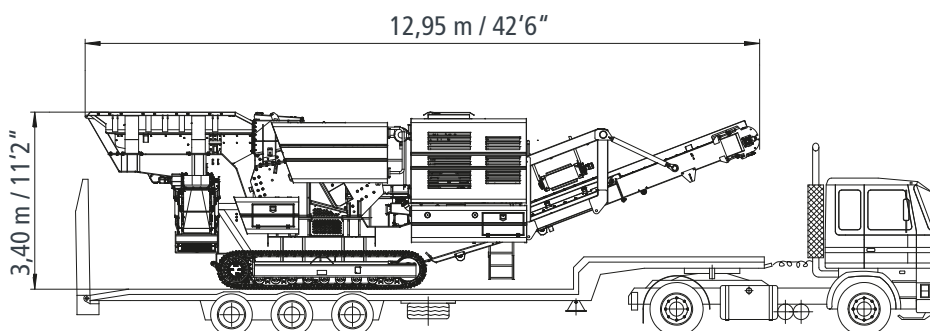
Weight without the options: 30,5 t / 66,140 lbs

STANDARD EQUIPMENT

- > Radio remote control
- > Hydraulically lowerable main discharge belt
- > Hydraulically foldable hopper walls

OPTIONS

- > Side conveyor belt
- > Magnetic separator
- > Dust suppression system
- > Reversal of crushing direction
- > Automatic central lubrication
- > Diesel fuel pump
- > Discharge chute



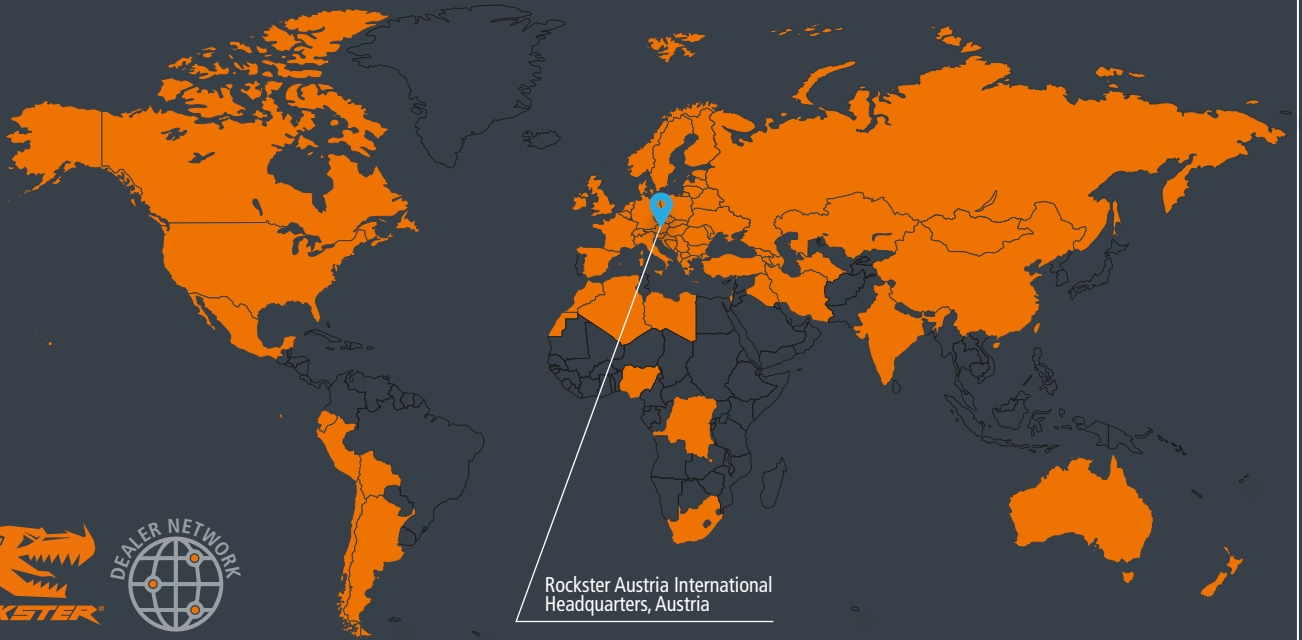
Transport dimensions J100 rev

Length:	12,95 m / 42'6"
Width:	2,55 m / 8'5"
Height:	3,40 m / 11'2"
*Weight:	31,90 t 68,350lbs

Working Dimensions J100 rev

Length:	12,95 m / 42'6"
Width:	4,63 m / 15'2"
Height:	3,40 m / 11'2"

*with Magnetic separator, Side conveyor, Dust suppression



Rockster Austria International
Headquarters, Austria

SOLD IN MORE THAN 50 COUNTRIES WORLDWIDE

**COMPETENCE.
PROGRESS.
PARTNERSHIP.**

Rockster Austria International GmbH | Matzelsdorf 72, 4212 Neumarkt i.M., Austria
Tel.: +43 720 70 1212 | office@rockster.at | www.rockster.at

