

PRODUCT DESCRIPTION



RST23 TRACKED STACKER

Length 23,00 m / 75'

Max. discharge height 10,05 m / 34'5"

Weight 14,5 t / 32,000 lbs



MOBILE TRACK-MOUNTED STACKER

RST23

**SHORT SET-UP TIME.
COMPACT.
EASY TO TRANSPORT.**



INCREASE PRODUCTION CAPACITY & MINIMIZE OPERATING COSTS

Robust and compact Rockster stacker RST23 can be loaded and put back into operation in a short amount of time.

The operating costs are significantly lower compared to a wheel loader and the CO2 emissions are at a minimum.

It has been designed for use in combination with screening machines as well as crushers to enable impressive production capacity while reducing material handling costs.

The RST23 stacker creates large, conical and radial stockpiles, thus supporting crushing and screening

plants in their significant increase of daily production capacity.

The stacker comes with tracks, however wheeled option is also available, so the customer can choose the best option depending on individual terrain.

The mobile conveyor RST23 hydraulically folds and is operational within 10 minutes after delivery.

FEATURES & BENEFITS

- Short set-up time
- Robust steel construction
- Hydraulic folding conveyor
- Optimal transport dimensions
- Optional wheeled mobile version

PERFORMANCE	
Max. feed size:	100 mm / 4"
Performance:	up to 500 t/h - 550 st/h

MAIN BELT	
Length:	23,00 m / 75'
Belt width:	1050 mm / 42"

DISCHARGE HEIGHT	
Maximum:	~ 10,50 m / 34'5"

FEED HOPPER	
Length:	2,45 m / 8' 1/2"
Width:	2,06 m / 6'9"
*Max. capacity:	1,6 m ³ / 2,1 yd ³

TRACKS	
Width:	400 mm / 16"
Speed:	1 km/h / 0,6 mph

DRIVE UNIT	
Tier 3A	JCB444 DieselMAX - 84HP / 63kW
Tier 4 Final	JCB444 EcoMax - 74HP / 55kW
Diesel tank:	190 L / 50 US gallon
Hydraulic tank:	323 L / 85 US gallon



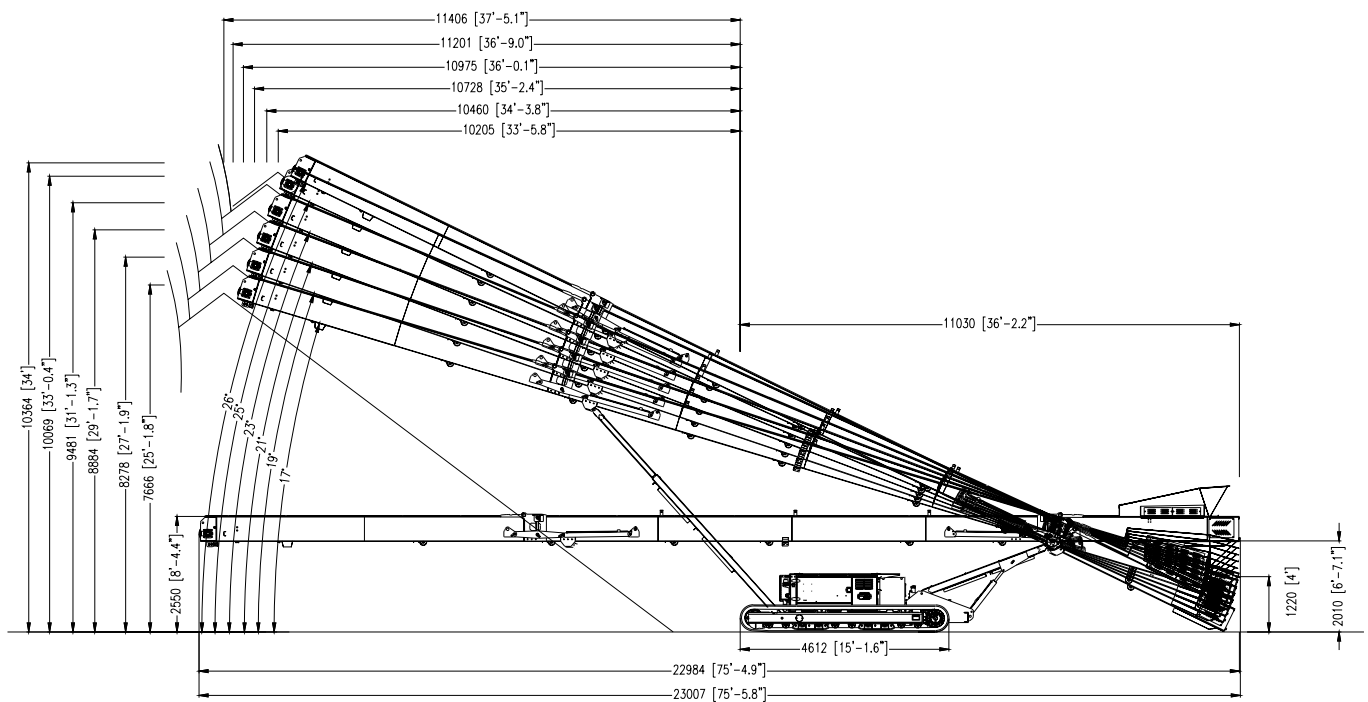
OPTIONS

- > Belt upgrade
4-ply reinforced belt for less wear
- > Chevron belt
- > Stage V - Deutz 2.9 L4 - 67HP / 50kW
- > Dust cover
- > Wheeled version



Working dimensions

Length:	21,00 - 23,00 m / 68'11" - 75'6"
Width:	2,30 m / 7'7"
Height:	10,50 m / 34'75"



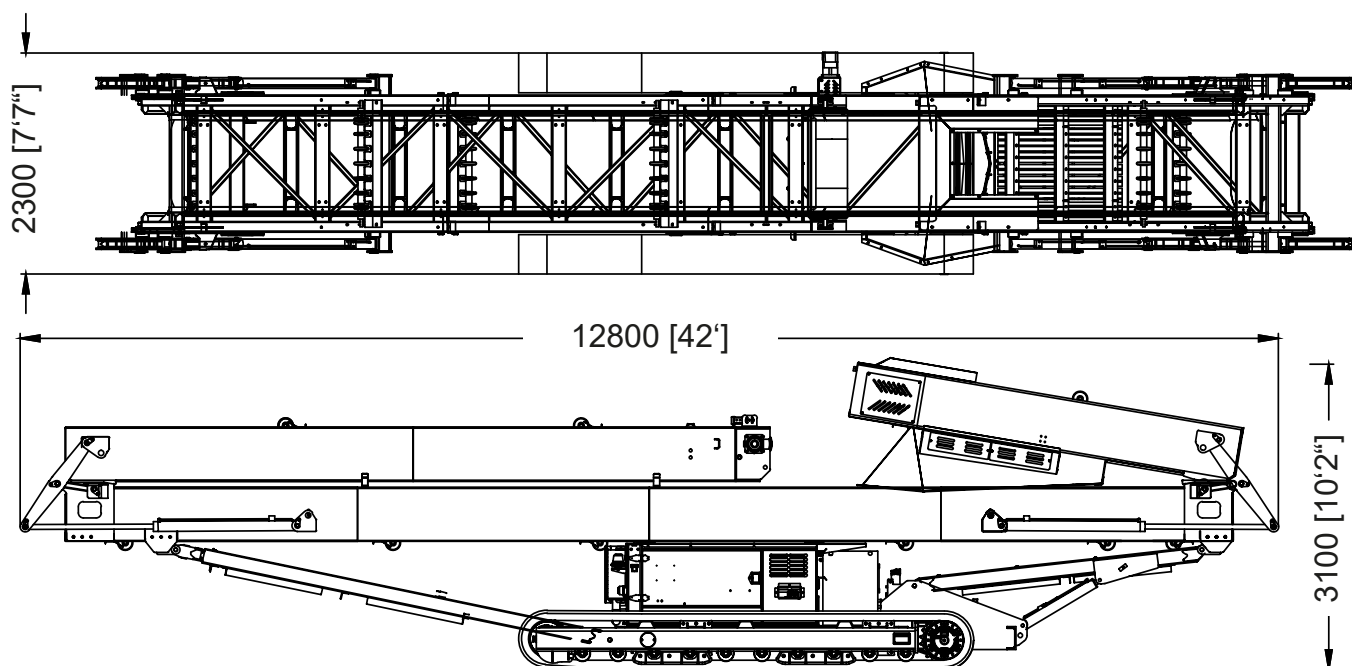
Angle (Y)	Discharge height (X)	Stockpile radius (Y)
26°	10,36 m / 34'	10,20 m / 33'6"
25°	10,07 m / 33'	10,46 m / 34'4"
23°	9,48 m / 31'1"	10,72 m / 35'2"
21°	8,88 m / 29'2"	10,97 m / 36'
19°	8,27 m / 27'2"	11,20 m / 36'9"
17°	7,66 m / 25'2"	11,40 m / 37'5"

TRANSPORT DIMENSIONS

RST23

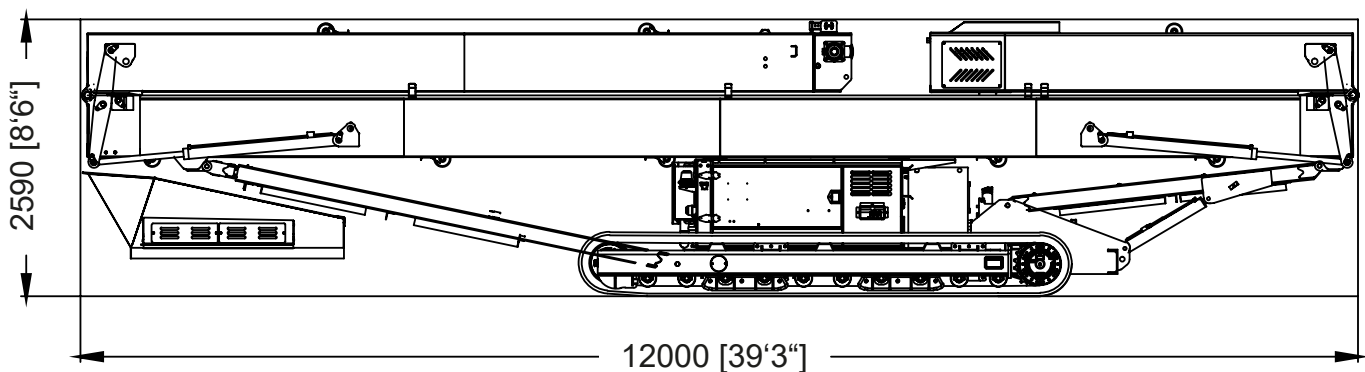
Standard

Length:	12,80 m / 42'	Height:	3,10 m / 10'2"
Width:	2,30 m / 7'7"	Weight:	14,5 t / 32,000 lbs



For container transport

Length:	12,00 m / 39'3"	Height:	2,59 m / 8'6"
Width:	2,30 m / 7'7"		



GENERAL INFORMATION



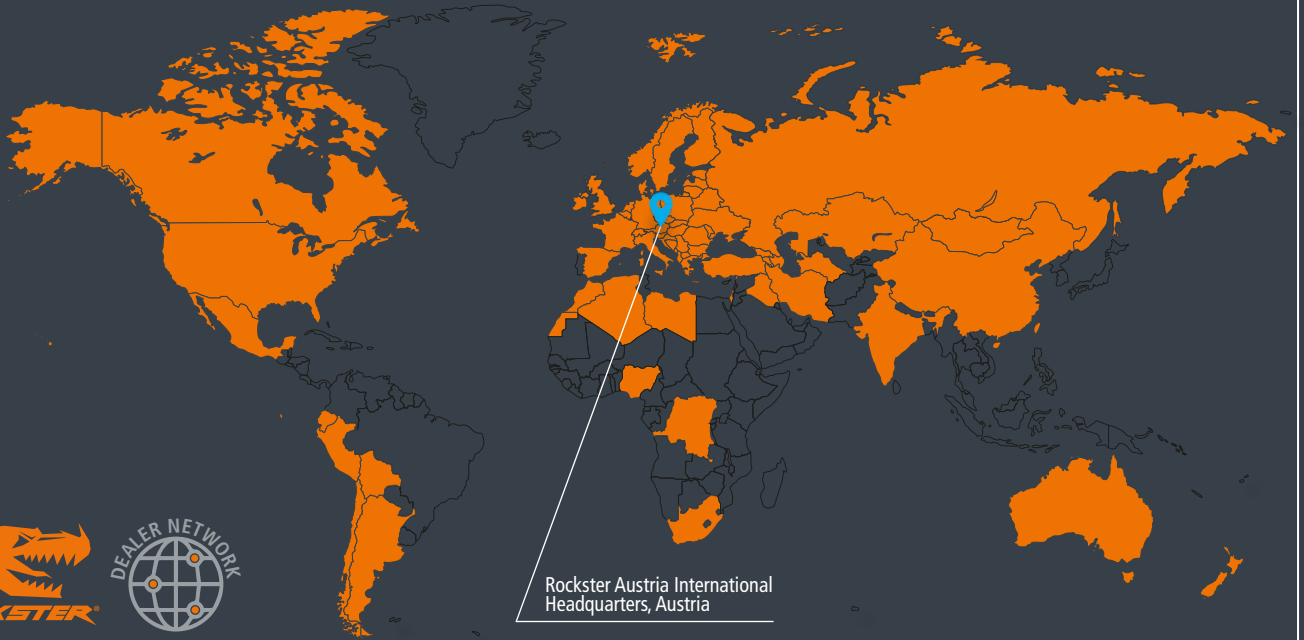
Austrian based manufacturer Rockster Austria International GmbH has a longstanding reputation and the know-how in demolition and screening industry.

The product line includes, among others, track mounted impact and jaw crushers, screening machinery and tracked stackers. "Our mobile crushers and screeners are used for profitable & economical recycling and processing of asphalt, concrete and construction waste, as well as for natural stone.

With innovations like The Original DUPLEX system or double-functional return belt, we repeatedly demonstrate our progressive approach towards improving and developing more efficient recycling & processing methods."

Rockster machines are sold in more than 50 countries worldwide. Our sales partner network guarantees the ideal on-site package of product and service in order to support and secure the daily success of our customers.





Rockster Austria International
Headquarters, Austria

SOLD IN MORE THAN 50 COUNTRIES WORLDWIDE

**COMPETENCE.
PROGRESS.
PARTNERSHIP.**

Rockster Austria International GmbH | Matzelsdorf 72, 4212 Neumarkt i.M., Austria
Tel.: +43 720 70 1212 | office@rockster.at | www.rockster.at



Print- and punctuation errors excepted. Content is subject to change without notice. NOTE - Crusher weight may vary depending on engine type.