

PRODUCT DESCRIPTION



RSS518

MOBILE TRACK-MOUNTED SCALPING SCREEN

Feed hopper 10.5 yd³ / 8,0 m³

Screen surface 14'1" x 5' / 5,5 x 1,5 m

Transport weight ~ 67,250 lbs / 30,5 t



3 final fractions

DESIGNED FOR A VARIETY OF APPLICATIONS & HIGHEST PERFORMANCE

RSS518 separates demolition debris, asphalt, concrete, bricks, coal, metal, top soil, compost and virgin stone. Also available either with a belt feeder or an optional steel apron feeder.

FEATURES & BENEFITS

- Short set-up time
- Easy handling
- Low feeding height
- Robust steel construction
- Folding hopper tailgate for direct crusher feeding

Applications

- Produces 3 final fractions as an individual machine
- Pre-screen before the crusher for production of 2 additional defined fractions, the separation of fines serves as wear protection & increases the crusher performance
- Final screening unit after the crusher to separate the crushed product into 3 final fractions

TECHNICAL DETAILS

RSS518

PERFORMANCE	
Max. feed size:	20" / 500 mm
Capacity:	up to 410 st/h - 375 t/h

HOPPER	
Width:	10'2" / 3,10 m
Length:	15'1" / 4,60
Max. Volume:	10.5 yd ³ / 8,0 m ³

SCREEN SURFACE (both decks)	
Length:	18' / 5,50 m
Width:	5' / 1,52 m
Angle:	13 - 17°
Screen decks:	acc. to customer requirements

FEEDER BELT	
Width:	48" / 1200 mm
Type:	Plain belt
Control:	Variable speed

FINES BELT	
Width:	42" / 1050 mm
Discharge height:	~ 12'6" / 3,85 m
Control:	Variable speed

MIDS BELT	
Width:	42" / 1050 mm
Discharge height:	~ 11'10" / 3,60 m
Control:	Variable speed

OVERSIZE BELT	
Width:	48" / 1200 mm
Discharge Height:	~ 11' / 3,40 m
Control:	Variable speed

COLLECTION BELT	
Width:	42" / 1050 mm
Control:	Constant

TRACKS	
Width:	16" / 500 mm
Speed:	1 km/h

APRON FEEDER	
Width:	48" / 1200 mm
Type:	Apron
Control:	Variable speed

DRIVE UNIT	
Tier 3A	CAT 4.4 - 102HP / 75kW JCB444 DieselMAX - 114HP / 85kW
Tier 4 Final	JCB444 EcoMax - 126HP / 93kW
Diesel tank:	103 US gallon / 390L
Hydraulic tank:	118 US gallon / 450L

OPTIONS

- > Top deck: Finger tines, bofor bar punch plate or mesh
- > Radio remote control
- > Apron feeder
- > Stage V - JCB444 EcoMax - 126HP / 93kW

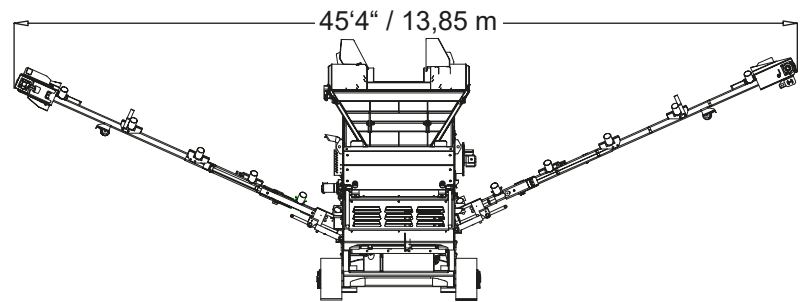
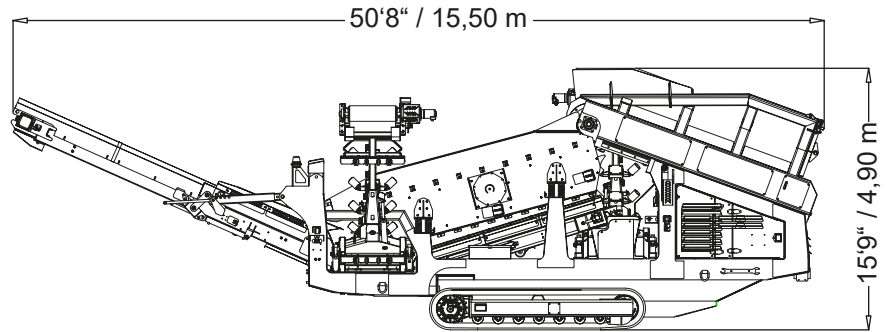


DIMENSIONS

RSS518

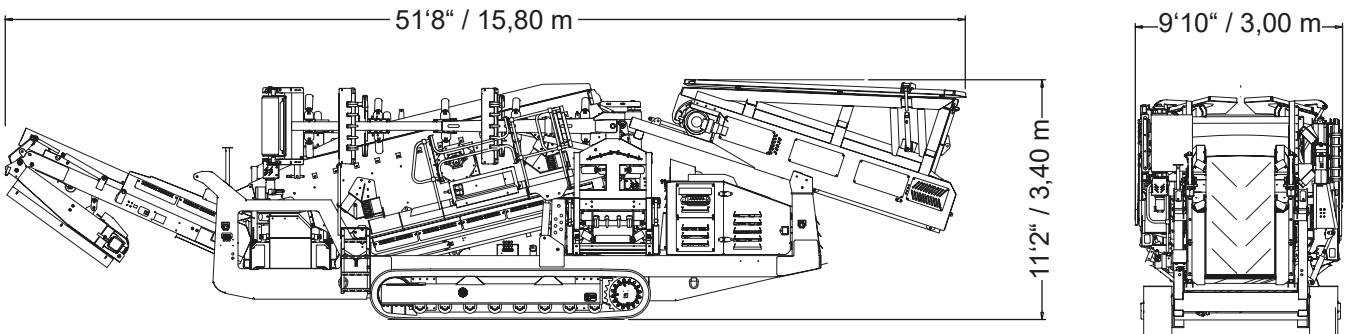
Working dimensions

Length:	50'8" / 15,50 m
Height:	15'9" / 4,90 m
Width:	45'4" / 13,85 m



Transport dimensions

Length:	51'8" / 15,80 m
Width:	9'10" / 3,00 m
Height:	11'2" / 3,40 m
Weight Apron feed:	70.550 lbs / 32,0 t
Weight Belt feed:	67.250 lbs / 30,5 t



GENERAL INFORMATION



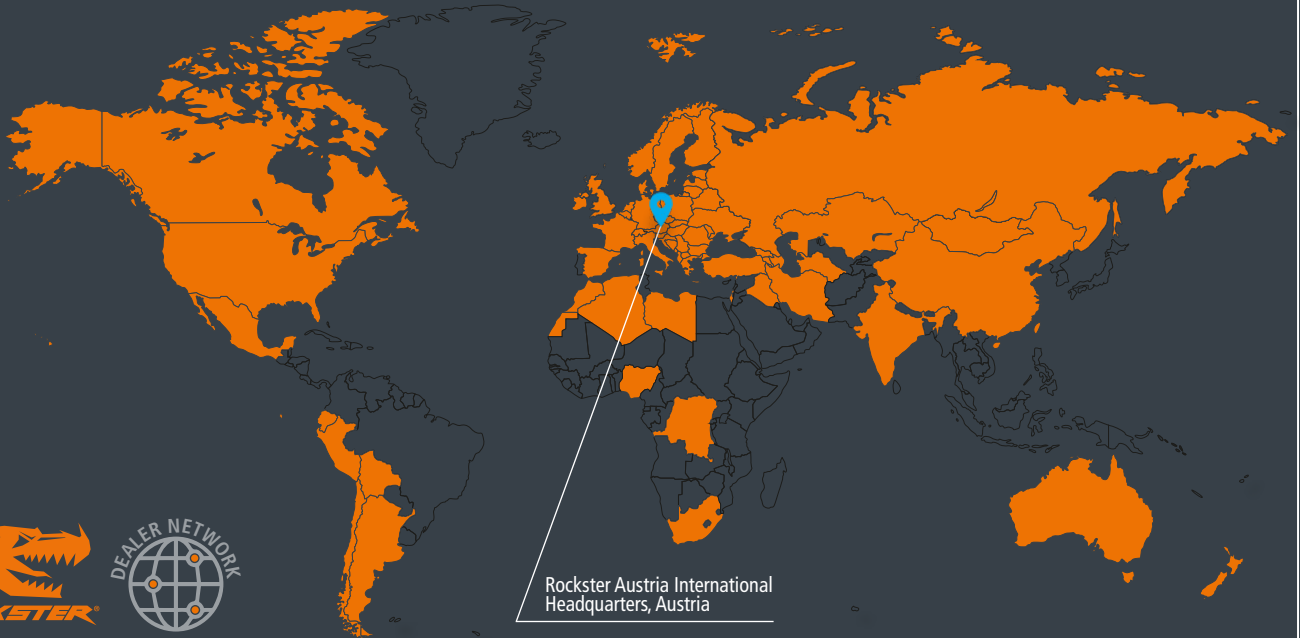
Austrian based manufacturer Rockster Austria International GmbH has a longstanding reputation and the know-how in demolition and screening industry.

The product line includes, among others, track mounted impact and jaw crushers, screening machinery and tracked stackers. "Our mobile crushers and screeners are used for profitable & economical recycling and processing of asphalt, concrete and construction waste, as well as for natural stone.

With innovations like The Original DUPLEX system or double-functional return belt, we repeatedly demonstrate our progressive approach towards improving and developing more efficient recycling & processing methods."

Rockster machines are sold in more than 50 countries worldwide. Our sales partner network guarantees the ideal on-site package of product and service in order to support and secure the daily success of our customers.





Rockster Austria International
Headquarters, Austria

SOLD IN MORE THAN 50 COUNTRIES WORLDWIDE

**COMPETENCE.
PROGRESS.
PARTNERSHIP.**

Rockster Austria International GmbH | Matzelsdorf 72, 4212 Neumarkt i.M., Austria
Tel.: +43 720 70 1212 | office@rockster.at | www.rockster.at



Print- and punctuation errors excepted. Content is subject to change without notice. NOTE - Crusher weight may vary depending on engine type.